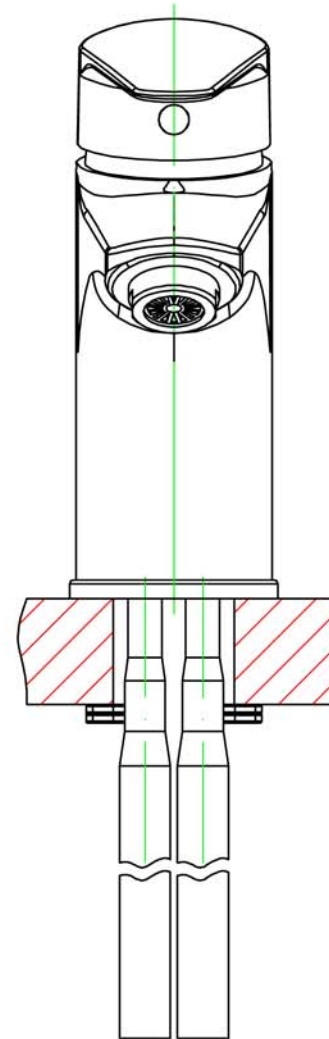


Minimum of 0.2 bar pressure required



ANBASNC