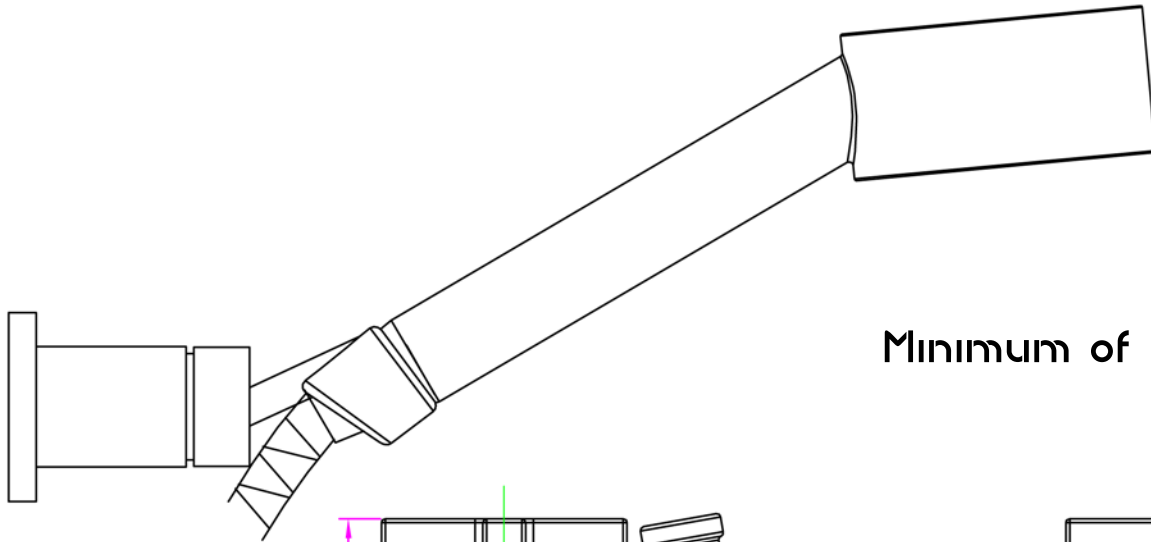


BABSMC



Minimum of 0.2 bar pressure required

